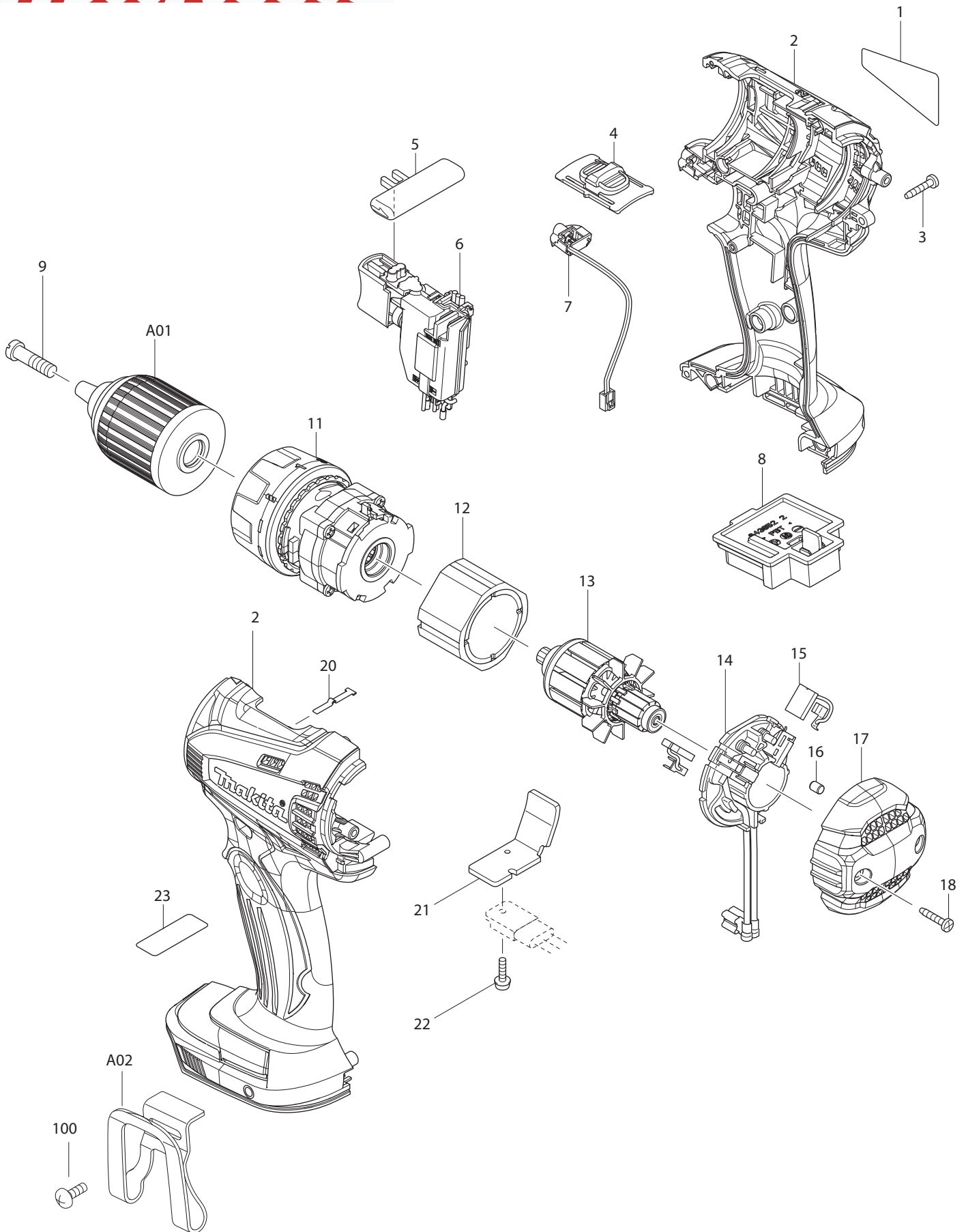




08 - 2010  
LXFD01 / LXFD01C1 / LXFD01CW1  
18V 1/2" DRIVER DRILL



Item No	Type	Ref	Part No	Description	Qty	Unit
1			868488-8	LXFD01 NAME PLATE	1	PC.
2			188932-2	HOUSING SET (FOR LXFD01/LXFD01Z/LXFD01C1)(BLUE)	1	PC.
2C			188931-4	HOUSING SET (FOR LXFD01CW1)(WHITE)	1	PC.
3			266429-2	TAPPING SCREW 3X16	9	PC.
4	2		126289-3	SPEED CHANGE LEVER ASSY (OLD# 125832-5)	1	PC.
		INC.	233438-6	COMPRESSION SPRING 4	2	PC.
5			419250-0	F/R CHANGE LEVER	1	PC.
6			650637-9	SWITCH	1	PC.
7			620012-3	LED CIRCUIT	1	PC.
8			643852-2	TERMINAL	1	PC.
9			251468-5	- FLAT HEAD SCREW M6X22	1	PC.
11			125831-7	GEAR ASSEMBLY	1	PC.
12	1		638611-7	YORK UNIT	1	PC.
	2		638425-4	YORK UNIT	1	PC.
13			619263-3	ARMATURE	1	PC.
14			638494-5	BRUSH HOLDER COMPLETE	1	PC.
15			195021-6	CARBON BRUSH CB-440 2PC/SET, W/ ORIGIN	1	SET
16			263032-0	RUBBER PIN 4	2	PC.
17			452205-2	REAR COVER (FOR LXFD01/LXFD01Z/LXFD01C1)(BLUE)	1	PC.
017C			452202-8	REAR COVER (FOR LXFD01CW1)(WHITE)	1	PC.
18			266429-2	TAPPING SCREW 3X16	2	PC.
20			232182-2	LEAF SPRING	1	PC.
21			689170-4	HEAT SINK	1	PC.
22			911013-5	PAN HEAD SCREW M3X10	1	PC.
23			891618-6	CAUTION LABEL (FR/ES)	1	PC.
100			251314-2	+ SCREW M4X12 (FOR HOOK)	1	PC.
C01			871628-9	CARTON (FOR LXFD01)	1	PC.
C01B			871773-0	CARTON (FOR LXFD01C1)	1	PC.
C01C			871774-8	CARTON (FOR LXFD01CW1)	1	PC.
C01D			871680-7	CARTON (FOR LXFD01Z)	1	PC.

#### **ACCESSORIES**

- See Catalogue or visit [www.makita.ca](http://www.makita.ca) for more accessories -

A01			766008-1	1/2" KEYLESS DRILL CHUCK	1	PC.
A02	1		346317-0	HOOK, COMPACT BELT CLIP, BL1830/BL1430	1	PC.
	2		346449-3	HOOK, COMPACT BELT CLIP, 18V, 14.4V LI-ION BATTERY	1	PC.
A02B	1		346034-2	HOOK F/BL1415, BL1815 (LXFD01C1, LXFD01CW1)	1	PC.
	2		346449-3	HOOK, COMPACT BELT CLIP, 18V, 14.4V LI-ION BATTERY	1	PC.
A03			784637-8	+/- BIT 2-45	1	PC.
A04	1		140756-4	PLASTIC CARRYING CASE COM	1	PC.
		INC.	162302-3	LATCH	2	PC.
		INC.	324207-7	SHAFT	1	PC.
		INC.	451749-9	HANDLE	1	PC.
	2		821521-7	PLASTIC CARRYING CASE COM	1	PC.
		INC.	162302-3	LATCH	2	PC.
		INC.	324207-7	SHAFT	1	PC.
		INC.	451749-9	HANDLE	1	PC.
	3		141856-3	PLASTIC CARRYING CASE COM	1	PC.
		INC.	162302-3	LATCH	2	PC.
		INC.	324207-7	SHAFT	1	PC.
		INC.	451749-9	HANDLE	1	PC.
A05			450128-8	BATTERY COVER	1	PC.
A06	1		DC18RA	CHARGER DC18RA (LXFD01)	1	PC.
	2		DC18RC	CHARGER DC18RC(LXFD01)	1	PC.
			DC18SD	CHARGER DC18SD (LXFD01C1/LXFD01CW1)	1	PC.
			DC18SE	AUTOMOTIVE CHARGER DC18SE	1	PC.
			DC18RAKIT	CHARGER+BATTERY(DC18RA+BL1830) KIT	1	KIT
A07			194205-3	18V LI-ION BATTERY BL1830 (LXFD01)	2	PC.
			194309-1	18V LI-ION BATTERY BL1815 (LXFD01C1, LXFD01CW1)	2	PC.
			194230-4	18V LI-ION BATTERY BL1830(2/PK)	1	PK
			194428-3	18V LI-ION BATTERY BL1815(2/PK)	1	PK
A08	1		419276-2	BIT HOLDER	1	PC.
	2		452947-8	BIT HOLDER	1	PC.
A09			194649-7	BATTERY PROTECTOR(BL1830)	1	PC.